



# AE-4 Specifications

The AE-4 system is a simplified automatic unit configured for permanent installations requiring less than 4 lbs/day (1.8 kg/day) of mixed oxidants measured as Free Available Chlorine (FAC). The unit is ideal for small rural and remote communities. The system activates based upon a level sensor measuring the volume of oxidant in a storage tank. After connection to water and a power source, the only routine operator service requirements are to load salt into the brine generator.

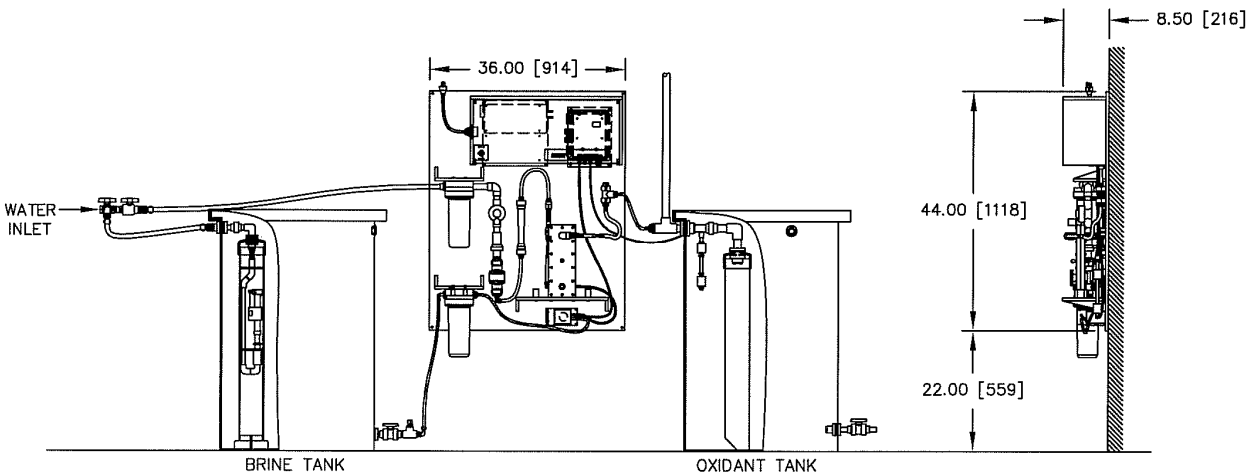
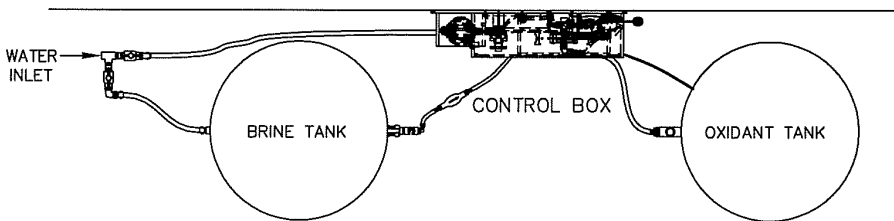
|  | <b>AE-4</b>  |
|--|--|
| <b>Rated FAC Capacity*</b>                     | 4 lbs/day<br>1.8 kg/day  |
| <b>Water Treatment Capacity (at 1 ppm FAC)</b> | 480,000 gals/day<br>1,817 m3/day   |
| <b>Salt Conversion (SCE)</b>                   | 5.5lb salt / lb FAC (5.5 kg salt/ kg FAC)  |
| <b>Energy Conversion ECE)</b>                  | 6 kW-hr / lb FAC (13.2 kW-hr / kg FAC)   |
| <b>FAC Concentration*</b>                      | 2,700 mg/L   |
| <b>Flow Rate</b>                               | 7.5 gph<br>28 lph  |
| <b>Electrical Service per</b>                  | Standard: 12 VDC, 90 A, 50/60 hertz<br>Option 1: 110 VAC 15 A, 50/60 hertz<br>Option 2: 220 VAC, 10 A, 50/60 hertz |
| <b>Nominal Energy to Unit</b>                  | For 110 VAC: 12 A / 1.3 KVA<br>For 220 VAC: 6 A / 1.3 KVA  |
| <b>Air Temp. Required</b>                      | 42° to 110°F (6° to 43°C)  |
| <b>Feed Water Temp. Required</b>               | 50° to 85°F (10° to 24°C)  |
| <b>Feed Water Pressure</b>                     | >25 < 75 psi (>172 < 517 kPa)  |
| <b>Shipping Size (WxDxH)</b>                   | 45 x 44 x 19 inches (113 x 112 x 47 cm)  |
| <b>Shipping Weight (Appx.)</b>                 | 110 lbs<br>45 kg   |

\* Production may vary depending on salt and water quality. Rated production capacities may be lower than actual data due to system production margins.

**Note: This electronic document is controlled. Once this document is printed it becomes uncontrolled and obsolete. Refer only to electronic document for the latest information.**



The **SAFEST WATER** In The World



**Note: This electronic document is controlled. Once this document is printed it becomes uncontrolled and obsolete. Refer only to electronic document for the latest information.**