



## Small Series HYPO System Specifications

The MIOX Small Series of systems consists of automated units appropriate for smaller water supplies or well sites. The control panel is mounted on the wall with the electrolytic cell, water manifold, brine pump and filter. The brine tank, oxidant tank, and water softener stand alone and are sized base on the water system requirements. The system can be wired for a remote alarm and also has the capability for remote display.

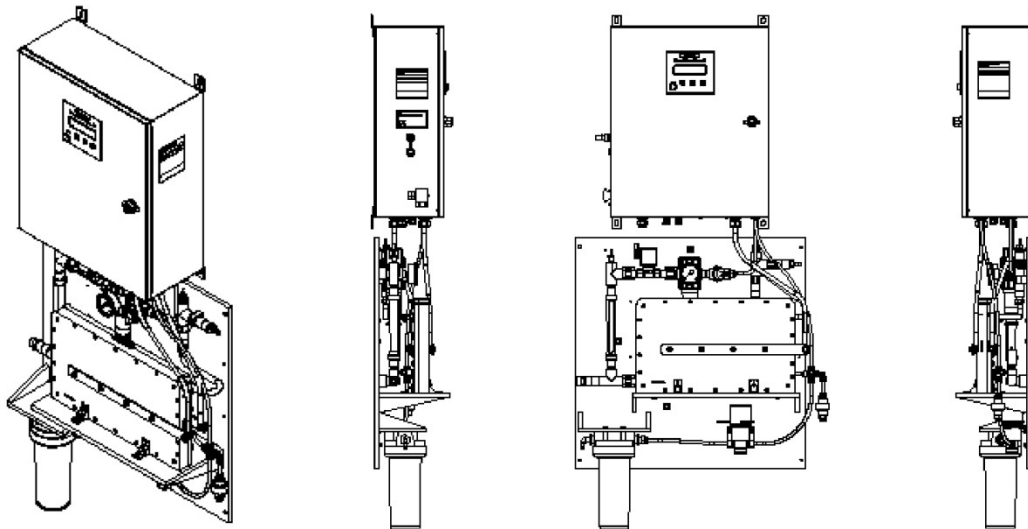
	H10	H20
<b>Rated FAC Capacity*</b>	10 lbs/day 4.5 kg/day	20 lbs/day 9 kg/day
<b>Water Treatment Capacity (at 1 ppm FAC)</b>	1.2 MGD 4542 m3/day	2.4 MGD 9085 m3/day
<b>Salt Conversion (SCE)</b>	5.5 lb salt / lb FAC 5.5 kg salt / kg FAC	
<b>Energy Conversion (ECE)</b>	3.3 kW-hr / lb FAC 7.3 kW-hr / kg FAC	
<b>FAC Concentration*</b>	8,000 mg/L ± 1,000	
<b>Flow Rate</b>	8.0 gph 30 lph	16.0 gph 60 lph
<b>Electrical Service per</b>	220 VAC, 1 ph, 20A, 50/60 hertz	220 VAC, 1 ph, 30A, 50/60 hertz
<b>Nominal Energy to Unit</b>	7 A 1.5 KVA	13 A 2.9 KVA
<b>Air Temperature</b>	42° to 110°F 6° to 43° C	
<b>Feed Water Temperature</b>	50° to 75°F 10° to 24° C	
<b>Feed Water Pressure</b>	25 to 100 psi 172 to 689 kPa	
<b>Dimensions (WxDxH)</b>	29 x 9.5 x 67.5 inches 74 x 24 x 172 cm	
<b>Shipping Size (WxDxH)</b>	37 x 34 x 27 inches 94 x 86.4 x 68.6 cm	
<b>Shipping Weight (Appx.)</b>	150 lbs 68 kg	

\* Production may vary depending on salt and water quality.

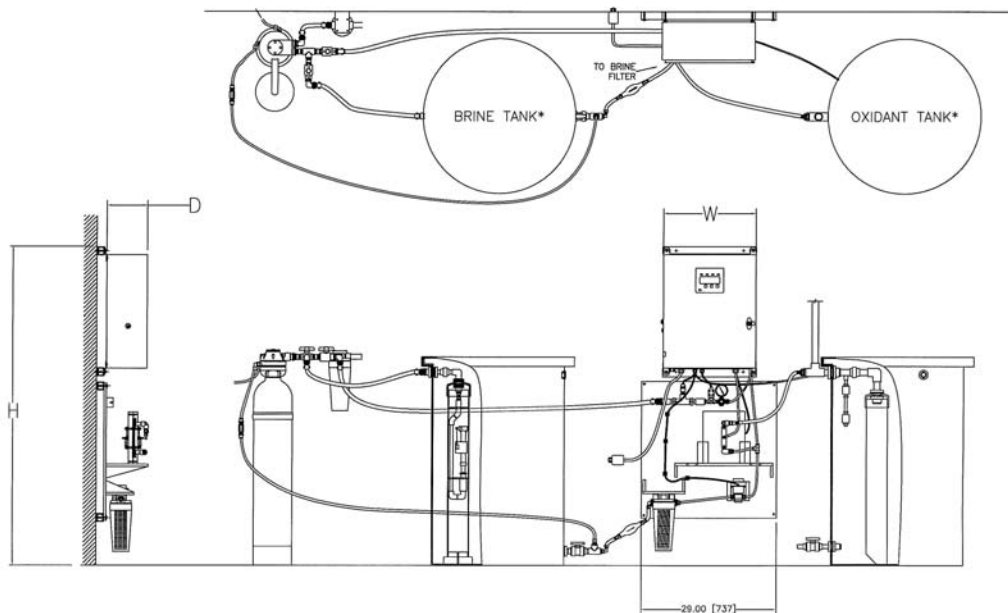
**Note: This electronic document is controlled. Once this document is printed it becomes uncontrolled and obsolete. Refer only to electronic document for the latest information.**



The **SAFEST WATER** In The World



**Small Series Drawing**



**Small Series System Configuration**

**Note: This electronic document is controlled. Once this document is printed it becomes uncontrolled and obsolete. Refer only to electronic document for the latest information.**