



RIO™ H Specifications

The RIO H Series produces sodium hypochlorite (HYPO) for water disinfection and is systematically optimized for ease of use, reliability, and performance. The RIO is modular which means HYPO disinfection chemistry output can be easily expanded 5X without increasing the footprint – just add more cells to the cabinet! Leading the industry in salt and energy conversion, the RIO can ensure the lowest life-cycle cost for your facility.

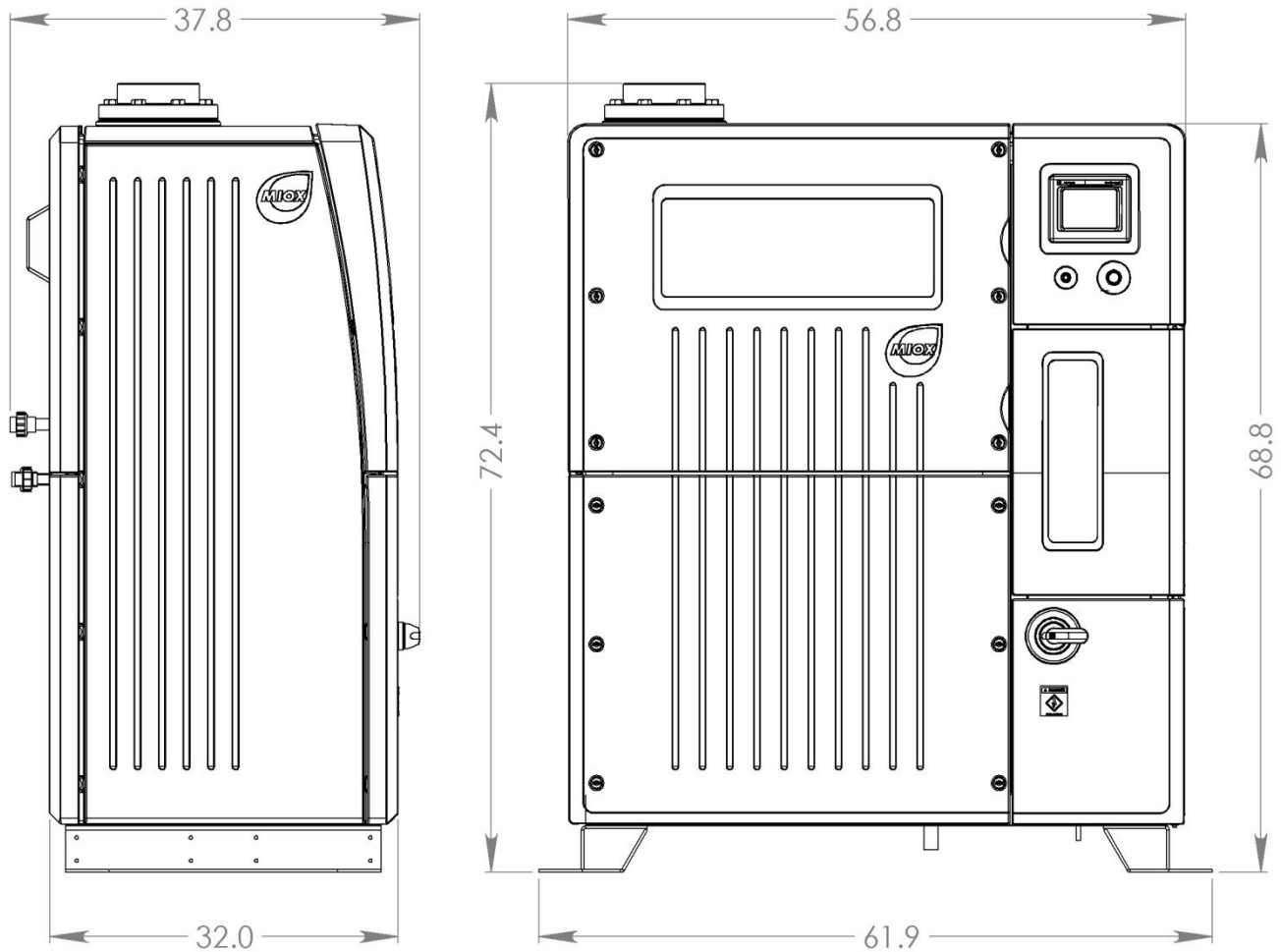
	RIO H1	RIO H2	RIO H3	RIO H4	RIO H5
Rated FAC Capacity	100 lbs/day 45 kg/day	200 lbs/day 91 kg/day	300 lbs/day 136 kg/day	400 lbs/day 181 kg/day	500 lbs/day 227 kg/day
Water Treatment Capacity (at 1 ppm FAC)	12 MGD 45,425 m ³ /day	24 MGD 90,850 m ³ /day	36 MGD 136,275 m ³ /day	48 MGD 181,700 m ³ /day	60 MGD 227,125 m ³ /day
Salt Conversion (SCE)*	3.0 lb salt/lb FAC 3.0 kg salt/kg FAC				
Energy Conversion (ECE)*	2.0 kW-hr/lb FAC 4.4 kW-hr/kg FAC				
FAC Concentration*	8,000 mg/L (+/- 1,000)				
Flow Rate	75 gph 284 lph	150 gph 568 lph	225 gph 852 lph	300 gph 1136 lph	375 gph 1420 lph
Electrical Service Requirement (OSG Only)	480 VAC, 3 ph, 100A, 50/60 hertz				
Nominal Energy to Unit	13 A 11 KVA	26 A 22 KVA	39 A 33 KVA	52 A 44 KVA	65 A 55 KVA
Air Temp. Required	45° to 115°F 7° to 46°C				45° to 105°F 7° to 40°C
External Vent Makeup Air	350 cfm 10 cmm				
Internal Vent Energy Added	2.8 kW	5.6 kW	8.4 kW	11.2 kW	14 kW
Recommended Feed Water Temperature*	50° to 80° F 10° to 26.7° C				
Allowable Feed Water Temperature*	40° to 95° F 5° to 35° C				
Feed Water Pressure	60 to 100 psi 414 to 689 kPa				
Approximate Dimensions (WxDxH)	61.9 x 37.8 x 68.8 inches 157.23 x 96.01 x 174.75 cm				

*Performance may vary depending on salt quality, water quality, and water temperature.

Note: This electronic document is controlled. Once this document is printed it becomes uncontrolled and obsolete. Refer only to electronic document for the latest information.



RIO Drawing



REFERENCE GENERAL ARRANGEMENT DRAWING 112-00023
FOR INSTALLATION REQUIREMENTS

Note: This electronic document is controlled. Once this document is printed it becomes uncontrolled and obsolete. Refer only to electronic document for the latest information.

