



RIO™ H Series Specifications

The RIO H Series produces sodium hypochlorite (HYPO) for water disinfection and is systematically optimized for ease of use, reliability, and performance. The RIO has a modular design, which means the system can be easily expanded 5X within the same cabinet and without increasing the footprint, to meet future increase in FAC demand. Leading the industry in salt and energy conversion, the RIO ensures the lowest life-cycle cost for your application. The unit operates with Allen Bradley MicroLogix 1400 controls and is equipped with self-adjusting flow control.

	RIO H1	RIO H2	RIO H3	RIO H4	RIO H5
Rated FAC Capacity	100 lbs/day 45 kg/day	200 lbs/day 90 kg/day	300 lbs/day 135 kg/day	400 lbs/day 180 kg/day	500 lbs/day 225 kg/day
Salt Conversion (SCE)*	3.0 lb salt/lb FAC 3.0 kg salt/kg FAC				
Energy Conversion (ECE)*	2.0 kW-hr/lb FAC 4.4 kW-hr/kg FAC				
FAC Concentration*	8,000 mg/L (+/- 1,000)				
Flow Rate^	75 gph 284 lph	150 gph 568 lph	225 gph 852 lph	300 gph 1136 lph	375 gph 1420 lph
Nominal Energy to Unit	480 V: 13 A 400 V: 16 A 11 KVA	480 V: 26 A 400 V: 33 A 22 KVA	480 V: 39 A 400 V: 49 A 33 KVA	480 V: 52 A 400 V: 65 A 44 KVA	480 V: 65 A 400 V: 81 A 55 KVA
Electrical Service Requirement (OSG Only)	480 VAC, 3 ph, 100 A, 50/60 hertz 400 VAC, 3 ph, 125 A, 50/60 hertz				
Air Temp. Required	45° to 115° F 7° to 46° C				45° to 105° F 7° to 40° C
Recommended Feed Water Temperature*	55° to 80° F 12° to 27° C				
Allowable Feed Water Temperature*	40° to 95° F 5° to 35° C				
Feed Water Pressure	35 to 100 psi 241 to 689 kPa				
Water Hardness	0 – 17 mg/L (1 grain/gallon)				
Maximum Silica Limit	20 mg/L				
Energy Add for Internal Vent	2.8 kW	5.6 kW	8.4 kW	11.2 kW	14kW
Approximate Dimensions (WxDxH)	61.9 x 37.8 x 68.8 inches 157.23 x 96.01 x 174.75 cm				

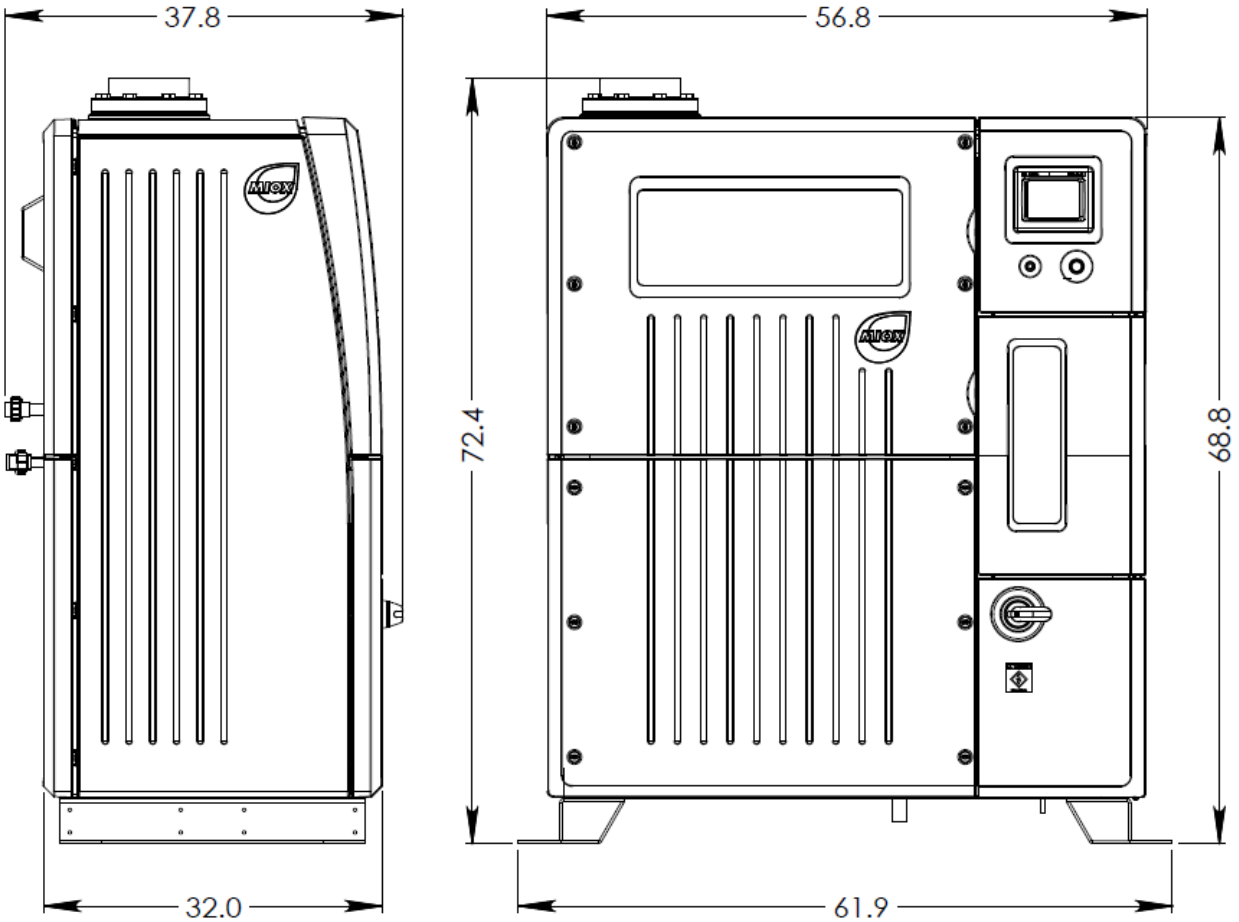
*Performance may vary depending on salt quality, water quality, and water temperature.

^Feed water flow rate is subject to +/- 15% variation

Note: This electronic document is controlled. Once this document is printed it becomes uncontrolled and obsolete. Refer only to electronic document for the latest information.



RIO Drawing



REFERENCE GENERAL ARRANGEMENT DRAWING 112-00023
FOR INSTALLATION REQUIREMENTS

Note: This electronic document is controlled. Once this document is printed it becomes uncontrolled and obsolete. Refer only to electronic document for the latest information.

